



# EYE TO EYE SECURITY

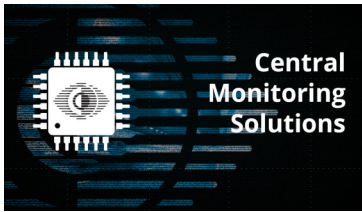
CENTRAL

MONITORING

SOLUTIONS

***YOUR GOAL IS  
OUR MISSION***

DATA SHEETS



## Table of Contents

**Page 1**.....KDM2801H-G2 VMS - Video Management System

**Page 2**.....KDM2802A-G2 High-capacity VMS - Video Management System

**Page 3**.....KDM2901 VMS - Video Management System

**Page 4**.....KProServer3 CPU Server

**Page 5**.....VS200G/H 16/24 Bay IPSAN for long-term storage

**Page 6**.....KDM201 Video Decoder Unit

**Page 7**.....VMS Client Unit (CU)



Scan or Click to download Central Monitoring Solutions Presentation

# KDM2801H-G2

## VMS - Video Management System



### Feature

#### High-performance, High-capacity

- Up to 1000 channels per unit
- Max. 640Mbps incoming bandwidth
- Max. 640Mbps output bandwidth
- Up to 1000 Standby Connections
- 8-level cascade
- 32 devices stack per level

#### High reliability

- Embedded Linux
- Packet Loss Recovery (PLR) supported

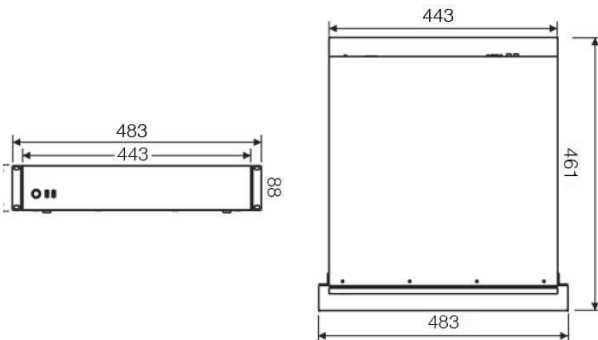
#### Abundant functions and features

- E-Map, TV-Wall supported
- Bi-directional audio
- NAT, Socks5
- Alarm management
- Free Client (CU client)

### Specifications

KDM2801H-G2	
<b>Capacity</b>	
Access	1000 Standby Connections
Stack	32 devices per level, up to 3,000 channels
Cascade	8-level, up to 20,000 channels
Incoming Bandwidth	Max. 640Mbps
Output Bandwidth	Max. 640Mbps
<b>Live Viewing</b>	
Multi-Screen Display	Up to 64 video windows
E-Map	Live Viewing in E-Map
Function	E-PTZ / Scheme / Polling / TV-Wall (optional with decoder)
<b>Recording</b>	
Mode	Manual / Continuous / Schedule / Event (Pre / Post)
Event Trigger	Alarm input / Video lost / Motion Detection
<b>Search &amp; Playback</b>	
Search Mode	Date and time (Calendar) / Event
Playback Mode	Single Playback / Multi Playback / Synchronize Playback
Function	Slow forward / Fast forward / Loop / Single Frame / E-PTZ
<b>Storage</b>	
External	IPSAN (iSCSI), up to 31 x IPSAN
<b>Video</b>	
Compression	H.265 / H.264 / MPEG4
Image Resolution	QXGA, 1080p, UXGA, 960p, 720p, XGA, SVGA, D1, CIF, QCIF
Frame Rate	1 ~ 30fps
Bitrate	64kbps ~ 8Mbps
<b>Audio</b>	
Compression	G.711a / G.711u / ADPCM / G.722 / G.722.1c / AAC-LC
Bitrate	32kbps ~ 64kbps
<b>Alarm</b>	
Alarm Triggers	Alarm input / Video lost / Motion Detection / Disk alarm
Alarm Events	Snapshot / Recording / PTZ preset / Alarm out / Buzzer / Link to Client / Alarm caption
<b>System</b>	
Operating System	Embedded Linux
User Management	Super admin / Admin / User
Log Management	User login / User operation / Device / Alarm / Backup
<b>Network</b>	
Network Protocols	SIP, TCP/IP, UDP, HTTP, DHCP, DNS/DDNS, RTP/RTCP, RTSP, FTP, SNTp, VSIP
Viewer Software	CU Client
Max. User Access	1000 Users
Protocols	ONVIF, GB/T 28181-2011
Application Programming	CU SDK
Function	NAT / Socks5 / Multiple network access / Packet loss recovery
<b>Interfaces</b>	
Ethernet	2 x Gigabit network port, RJ45 interface
USB	4 x USB2.0
Control	1 x RS485
Video Out	1 x VGA, for debug only
Internal	2 x USB2.0, for USB license dongle
<b>Environmental</b>	
Operating Temperature	0°C ~ 55°C / 32°F ~ 131°F
Operating Humidity	10% ~ 90%
<b>Electrical</b>	
Power	100 ~ 240V AC, 50 ~ 60Hz
Power Consumption	Max. 25W
<b>Mechanical</b>	
Weight	13kg / 28.66lb (Gross Weight)
Dimensions	443 x 461 x 88mm / 17.44" x 18.15" x 3.46"

Dimensions Units: mm



# KDM2802A-G2

## High-capacity VMS - Video Management System



### Feature

#### High-performance, High-capacity

Up to 5000 channels per unit  
 Max. 640Mbps incoming bandwidth  
 Max. 640Mbps output bandwidth  
 Up to 1000 Standby Connections  
 8-level cascade  
 32 devices stack per level

#### High reliability

Embedded Linux  
 Packet Loss Recovery (PLR) supported

#### Abundant functions and features

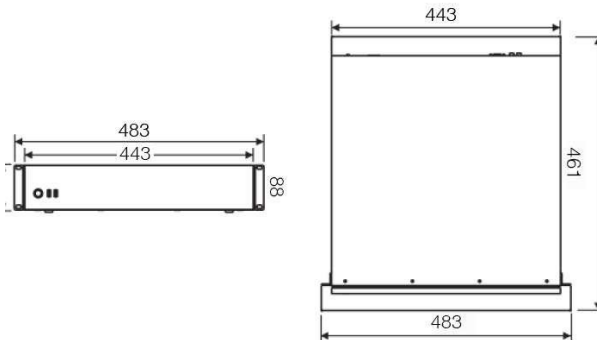
E-Map, TV-Wall supported  
 Bi-directional audio  
 NAT, Socks5  
 Alarm management  
 Free Client (CU client)

### Specifications

KDM2802A-G2	
<b>Capacity</b>	
Access	5000 Standby Connections
Stack	32 devices per level, up to 15,000 Channel
Cascade	8-level, up to 50,000 Channels
Incoming Bandwidth	Max. 640Mbps
Output Bandwidth	Max. 640Mbps
<b>Live Viewing</b>	
Multi-Screen Display	Up to 64 multi-window
E-Map	Live Viewing in E-Map
Function	E-PTZ / Scheme / Polling / TV-Wall (optional with decoder)
<b>Recording</b>	
Mode	Manual / Continuous / Schedule / Event (Pre / Post)
Event Trigger	Alarm input / Video lost / Motion Detection
<b>Search &amp; Playback</b>	
Search Mode	Date and time (Calendar) / Event
Playback Mode	Single Playback / Multi Playback / Synchronize Playback
Function	Slow forward / Fast forward / Loop / Single Frame / E-PTZ
<b>Storage</b>	
External	IP SAN (iSCSI), up to 31 x IP SAN
<b>Video</b>	
Compression	H.265 / H.264 / MPEG4
Image Resolution	QXGA, 1080p, UXGA, 960p, 720p, XGA, SVGA, D1, CIF, QCIF
Frame Rate	1 ~ 30fps
Bitrate	64kbps ~ 8Mbps
<b>Audio</b>	
Compression	G.711a / G.711u / ADPCM / G.722 / G.722.1c / AAC-LC
Bitrate	32kbps ~ 64kbps
<b>Alarm</b>	
Alarm Triggers	Alarm input / Video lost / Motion Detection / Disk alarm
Alarm Events	Snapshot / Recording / PTZ preset / Alarm out / Buzzer / Link to Client / Alarm caption
<b>System</b>	
Operating System	Embedded Linux
User Management	Super admin / Admin / User
Log Management	User login / User operation / Device / Alarm / Backup
<b>Network</b>	
Network Protocols	SIP, TCP/IP, UDP, HTTP, DHCP, DNS/DDNS, RTP/RTCP, RTSP, FTP, SNTP, VSIP
Viewer Software	CU Client
Max. User Access	1000 Users
Protocols	ONVIF, GB/T 28181-2011
Application Programming	CU SDK
Function	NAT / Socks5 / Multiple network access / Packet loss recovery
<b>Interfaces</b>	
Ethernet	3 x Gigabit network port, RJ45 interface
USB	4 x USB2.0
Control	1 x RS485
Video Out	1 x VGA, for debug only
Internal	2 x USB2.0, for USB license dongle
<b>Environmental</b>	
Operating Temperature	0°C ~ 55°C / 32°F ~ 131°F
Operating Humidity	10% ~ 90%
<b>Electrical</b>	
Power	100 ~ 240V AC, 50 ~ 60Hz Redundant Power Supply
Power Consumption	Max. 80W
<b>Mechanical</b>	
Weight	15kg / 33.07lb (Gross Weight)
Dimensions	443 x 461 x 88mm / 17.44" x 18.15" x 3.46"

### Dimensions

Unit: mm



# KDM2901

## VMS - Video Management System



### Feature

**High-performance, High-capacity**  
 300, 1000 and 10,000 channels per unit  
 Up to 300 users access simultaneously  
 8-level cascade  
 32 devices stack per level

**High reliability**  
 Packet Loss Recovery (PLR) supported  
 N+1 Hot Backup

**Abundant functions and features**  
 E-Map, TV-Wall supported  
 Bi-directional audio  
 NAT, Socks5  
 Alarm management  
 Free Client (CU client)

### Specifications

	KDM2901-S-G2	KDM2901-K-G2	KDM2901-M-G2
<b>Capacity</b>			
Access (Standby Connections)	300 Channels	1,000 Channels	10,000 Channels
Stack	32 devices per level, up to 3,000 Channel (depend on root VMS)		32 devices per level, up to 15,000 Channel (depend on root VMS)
Cascade	8-level, up to 20,000 Channel (rely on root VMS)		8-level, up to 50,000 Channel (rely on root VMS)
<b>Live Viewing</b>			
Multi-Screen Display	Up to 64 video windows		
E-Map	Live Viewing in E-Map		
Function	E-PTZ / Scheme / Polling / TV-Wall (optional with decoder)		
<b>Recording</b>			
Mode	Manual / Continuous / Schedule / Event (Pre / Post)		
Event Trigger	Alarm input / Video lost / Motion Detection		
<b>Search &amp; Playback</b>			
Search Mode	Date and time (Calendar) / Event		
Playback Mode	Single Playback / Multi Playback / Synchronize Playback		
Function	Slow forward / Fast forward / Loop / Single Frame / E-PTZ		
<b>Storage</b>			
External	IPSAN (iSCSI), up to 31 x IPSAN		
<b>Video</b>			
Compression	H.265 / H.264 / MPEG4		
Image Resolution	QXGA, 1080p, UXGA, 960p, 720p, XGA, SVGA, D1, CIF, QCIF		
Frame Rate	1 ~ 30fps		
Bitrate	64kbps ~ 8Mbps		
<b>Audio</b>			
Compression	G.711a / G.711u / ADPCM / G.722 / G.722.1c / AAC-LC		
Bitrate	32kbps ~ 64kbps		
<b>Alarm</b>			
Alarm Triggers	Alarm input / Video lost / Motion Detection / Disk alarm		
Alarm Events	Snapshot / Recording / PTZ preset / Alarm out / Buzzer / Link to Client / Alarm caption		
<b>System</b>			
User Management	Super admin / Admin / User		
Log Management	User login / User operation / Device / Alarm / Backup		
<b>System Requirements (Hardware)</b>			
CPU	Min: Intel Core i3 Recommended: Intel Core i5	Min: Intel Core i3 Recommended: Intel Core i5	Min: Intel Core i7 Recommended: Inter Core i7 * 4
RAM	Min: 8GB Recommended: 16GB	Min: 16GB Recommended: 32GB	Min: 32GB Recommended: 128GB
HDD	1TB		
<b>System Requirements (Software)</b>			
Supported Operating System	Centos 6.5 64-bit		

# KProServer3

## CPU Server



### Feature

**High-performance, High-capacity**  
High density CPU chassis  
2 x Intel Xeon processor E5-2620V3  
64GB RAM  
1 x 2.4TB SAS, 1x 960GB SSD, 2 x SFP

### Specifications

KProServer3	
KProServer3-B01	High density CPU server chassis 19" 2U standard blade rack server chassis, able to insert 4 computing nodes, each computing node configuration 6 slot of 3.5-inch / 2.5-inch compatible hard drive slot, a total of 24 hard disk slot can be placed Include 2 unit of 2150W redundant platinum power supply
KProServer3-N100-E01 64G	Computing Nodes for KProServer3-B01 2 x Intel Xeon processor E5-2620V3 (6 core, 12 thread, 2.4GHz, 15MB Cache), 64GB RAM, 1 x 2.4TB SAS, 1x 960GB SSD, 2 x SFP OS license not included
Functions	Compares the attributes of each face Calculates the similarity percentage between faces
Operating Temperature	10°C ~ 40°C / 50°F ~ 104°F
Operating Humidity	50% ~ 90%
Power	100 ~ 127V AC, 50 ~ 60Hz / 200 ~ 240V AC, 50 ~ 60Hz
Power Consumption	Max. 2150W (4 computing nodes included)
Weight	38kg / 83.78lb (including 4 x nodes)
Chassis Dimensions	733 x 438 x 86.9mm / 28.86" x 17.24" x 3.42"

# VS200G/H

16/24 Bay IPSAN for long-term storage



## Specifications

	VS200G	VS200H
<b>General</b>		
Disk Interface	SATA: 1TB, 2TB, 3TB, 4TB, 6TB	
RAID	RAID0,1,5,6,10, RAID X	
HDD Hot-swap	Supported	
Max. Internal HDDs	16 x 3.5" HDD	24 x 3.5" HDD
	Max. 128TB (up to 8TB/each)	Max. 192TB (up to 8TB/each)
<b>Storage Management</b>		
Recording rate	500Mbps	
Disk management:	S.M.A.R.T. (Self-Monitoring, Analysis and Reporting)	
<b>Device Management</b>		
Management	Web-based GUI, Multiple units management	
Alarm	Sound, LED, Email, GUI Warning	
<b>Network</b>		
Network Protocols Supported	TCP/IP, UDP, HTTP, FTP, IPv4, iSCSI, NAS, NRU	
Trunk	Supported	
<b>Interfaces</b>		
Ethernet	3 x Gigabit network port, RJ45 interface	4 x Gigabit network port, RJ45 interface
Output	VGA output for debugging	
USB	2 x USB3.0, for keyboard or user data backup	
<b>Environmental</b>		
Operating Temperature	10°C ~ 35°C / 50°F ~ 95°F	
Operating Humidity	10% ~ 90%	
<b>Electrical</b>		
Power	100 ~ 240VAC, 50 ~ 60Hz Redundant Power Supply	
Power Consumption	Max. 216W (HDD not included)	
<b>Mechanical</b>		
Weight	Approx. 20kg (HDD not included)	<26.5 kg (excluding HDDs)
Dimensions	156 x 483 x 500mm / 6.14" x 19.02" x 19.69"	132.8 x 483 x 696.8mm / 5.23" x 19.02" x 27.43"



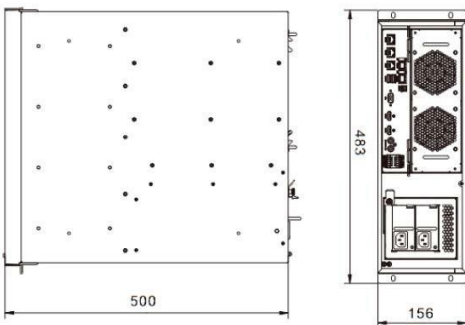
## Features

**High-performance, High-capacity**  
 Max. 500Mbps recording rate  
 Max.24 HDDs up to 192TB storage

**High reliability**  
 Embedded Linux Embedded  
 RAID 0/1/5/6/10, RAID X  
 HDD Hot Spare  
 Redundant Power Supply  
 HDD hot-swap  
 Ethernet trunk

**Abundant functions and features**  
 Multiple units management  
 Alarm management  
 Modular architecture

Dimensions \_\_\_\_\_ Units: mm



# KDM201

## Video Decoder Unit



### Features

#### High-performance, High-capacity

Max. 16 x 4K@30fps / 72 x 1080p@30fps / 144 x 720p@30fps decoder per unit  
H.264 / H.265

#### Easy to deploy

Modular architecture, 8 slots  
Rack-mounted  
Different decoder modules supported

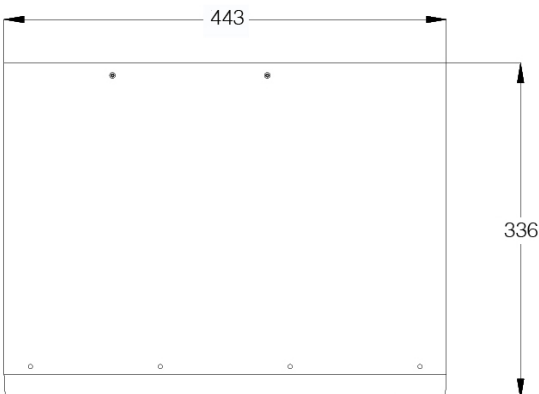
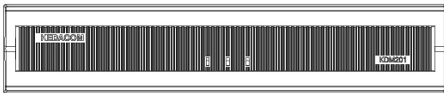
#### Easy to install

Built-in Web Server, easy to manage and configure

#### Abundant functions and features

Bi-directional audio

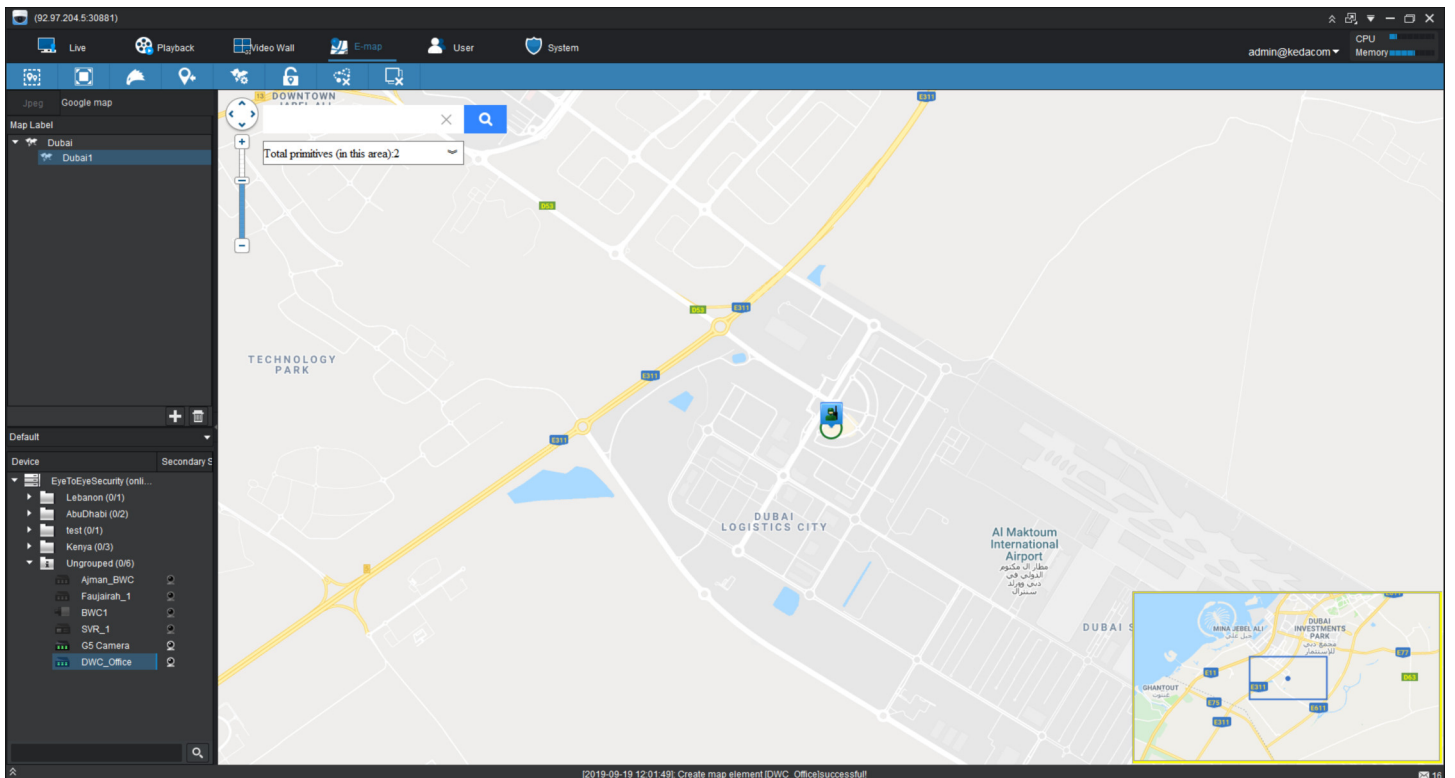
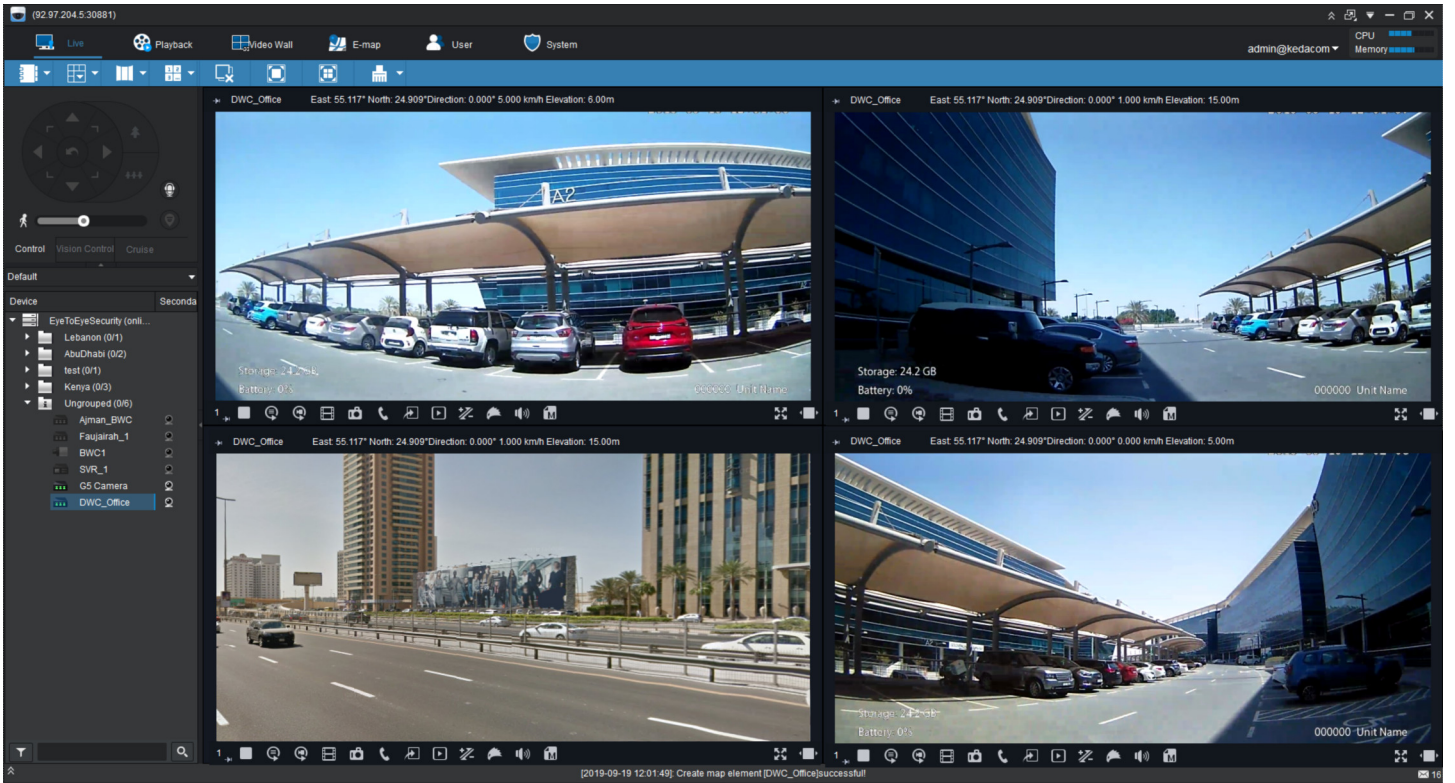
Dimensions \_\_\_\_\_ Units: mm



### Specifications

KDM201 Decoder Module Chassis	
<b>Interfaces</b>	
Slots	8
Ethernet	1 x Gigabit network port, RJ45 interface
<b>Environmental</b>	
Operating Temperature	-10°C ~ 40°C / 14°F ~ 104°F
Operating Humidity	10% ~ 90%
<b>Electrical</b>	
Power	100 ~ 240V AC, 50 ~ 60Hz
Power Consumption	Max. 250W
<b>Mechanical</b>	
Weight	8kg / 21.43lb (Gross Weight)
Dimensions	443 x 336 x 88mm / 17.44" x 13.23" x 3.46"
KDM201-D02E UHD Decoder Module	
<b>Video</b>	
Compression	H.264 / H.265
Image Resolution	8MP(4K), 4MP, QXGA, 1080p, UXGA, 960p, 720p, XGA, SVGA, D1, CIF
Multichannel	2 channel output: 1 x 4K / 2 x 4MP / 4 x 1080p / 9 x 720p / 16 x D1 by each channel 1 channel output (disable other video output): 2 x 4K / 4 x 4MP / 9 x 1080p / 16 x 720p
Layout	1, 2, 3, 4, 9, 16
Frame Rate	1 ~ 60fps
Bitrate	64kbps ~ 36Mbps
<b>Audio</b>	
Compression	G.711a / G.711u / ADPCM / G.722 / G.722.1c / AAC-LC / AMR
Bitrate	8kbps ~ 64kbps
<b>Interfaces</b>	
Video Out	2 x HDMI (up to 3840 x 2160) 1 x VGA (up to 1920 x 1080)
Audio In / Out	1 x 3.5mm Line in, 1 x 3.5mm Line out
Control	1 x RS485
User Interface	Web / NVR / NVR Station client / VMS client
KDM201-D01F HD Decoder Module	
<b>Video</b>	
Compression	H.264
Image Resolution	QXGA, 1080p, UXGA, 960p, 720p, XGA, SVGA, D1, CIF, QCIF
Multichannel	1 x QXGA / 2 x 1080p / 4 x 720p / 9 x D1 / 16 x CIF
Layout	1, 2, 4, 9, 16
Frame Rate	1 ~ 60fps
Bitrate	64kbps ~ 8Mbps
<b>Audio</b>	
Compression	G.711a / G.711u / ADPCM / G.722 / AAC-LC / AMR
Bitrate	32kbps ~ 64kbps
<b>Interfaces</b>	
Video Out	1 x HDMI, 1 x VGA, 1 x BNC
Audio In / Out	1 x 3.5mm Mic in, 1 x 3.5mm Line in, 1 x 3.5mm Line out
Control	1 x RS232, 1 x RS485
User Interface	Web / NVR / NVR Station client / VMS client
KDM201-D04F HD Decoder Module	
<b>Video</b>	
Compression	H.264
Image Resolution	QXGA, 1080p, UXGA, 960p, 720p, XGA, SVGA, D1, CIF, QCIF
Multichannel	2 x QXGA / 4 x 1080p / 8 x 720p / 16 x D1 / 64 x CIF
Layout	1, 2, 4, 9, 16
Frame Rate	1 ~ 60fps
Bitrate	64kbps ~ 8Mbps
<b>Audio</b>	
Compression	G.711a / G.711u / ADPCM / G.722 / AAC-LC / AMR
Bitrate	32kbps ~ 64kbps
<b>Interfaces</b>	
Video Out	4 x HDMI
Audio In / Out	1 x 3.5mm Line in, 1 x 3.5mm Line out
Control	1 x RS232, 1 x RS485
User Interface	Web / NVR / NVR Station client / VMS client







Dear Clients,

Thank you for taking the time to browse our Product Catalogue.

We have incorporated herein our comprehensive product range to suit versatile moving surveillance solutions.

We are especially excited to develop our advanced Recognitive Tracking System which has been the world's first of its type.

Before we do anything, we start with our clients in mind and this enables us to develop solutions which create tangible benefits and deliver excellent return on investment.

We are intrinsically R&D oriented in spirit and for this reason we invest a large part of our annual revenue to develop innovative products and solutions.

We take to heart the adage that excellence is a journey and cordially invite you to join us through a progressive future.

Warmest welcome,

Eye To Eye Security and KEDACOM Team

The information in this document is subject to change without prior notice. Every effort has been made in the preparation of this document to ensure accuracy of the contents, but that does not guarantee a complete omission of errors and as such any errors present as a result are purely accidental. Further any and all statement/s, information and recommendations in this document do not constitute a warranty of any kind whether expressed or implied. Eye To Eye Security and Kedacom International Pte Ltd, its staff and partners and associates are not in any way responsible for printing or clerical errors.

SCAN OR CLICK TO DOWNLOAD CLIENT UNIT VIDEOS



BODYWORN CAMERA  
AND CLIENT UNIT



Eye To Eye Security Trading DWC-LLC

BUILDING A5, OFFICE 140, BUSINESS CENTRE,

DUBAI WORLD CENTRAL, UAE, P.O BOX 712821

[www.eyetoeyesecurity.com](http://www.eyetoeyesecurity.com)